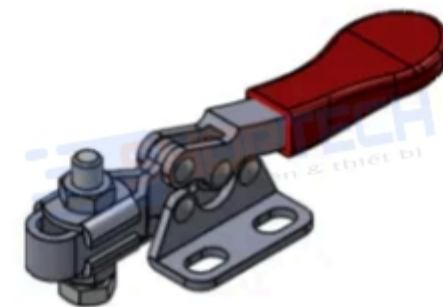
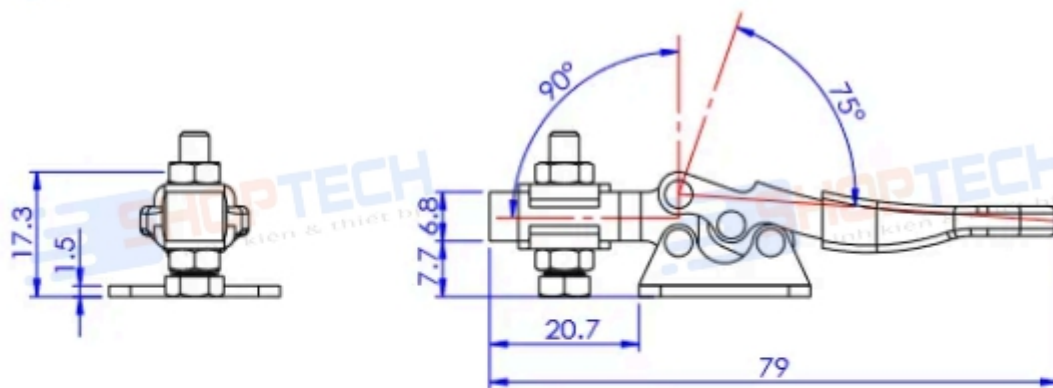
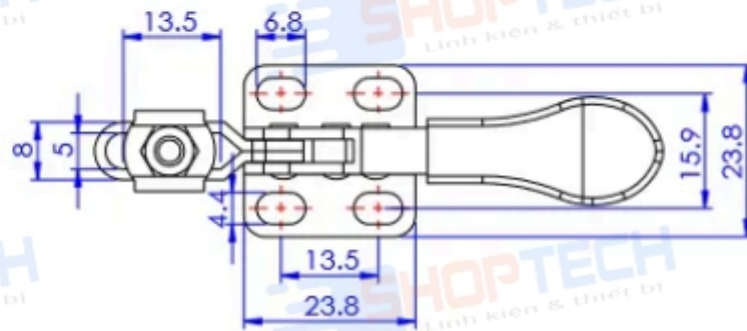


Part No:	GH-201
Holding Capacity:	27Kg
Bar Opens:	90°
Handle Opens:	75°
Weight:	0.03Kg
Spindle Supplied:	SA-042007-BK
Flanged Washers:	FW-080



Unit:mm

Scale: 1:1

www.shop-tech.vn

TITLE:

DWG NO. GH-201

A4